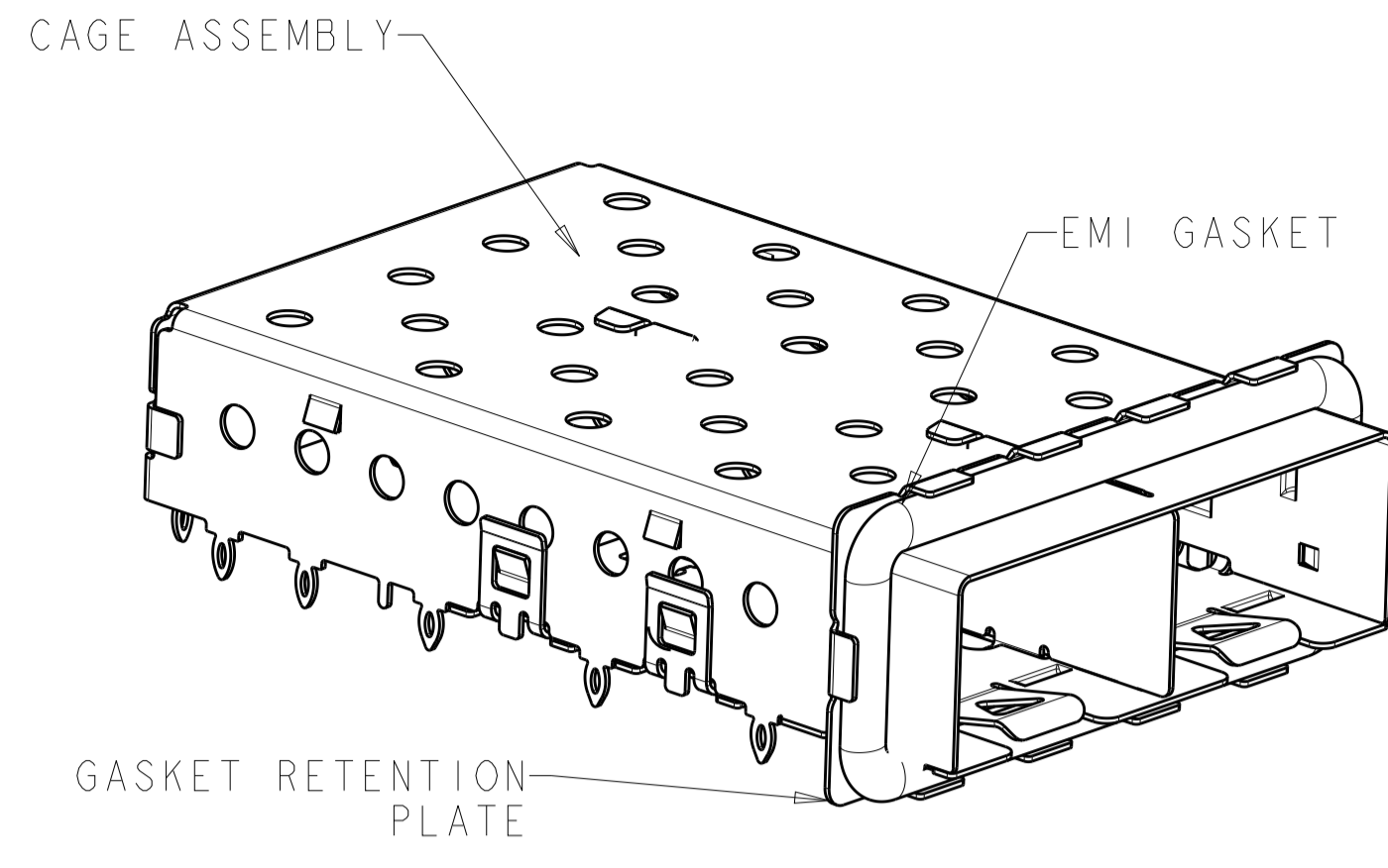
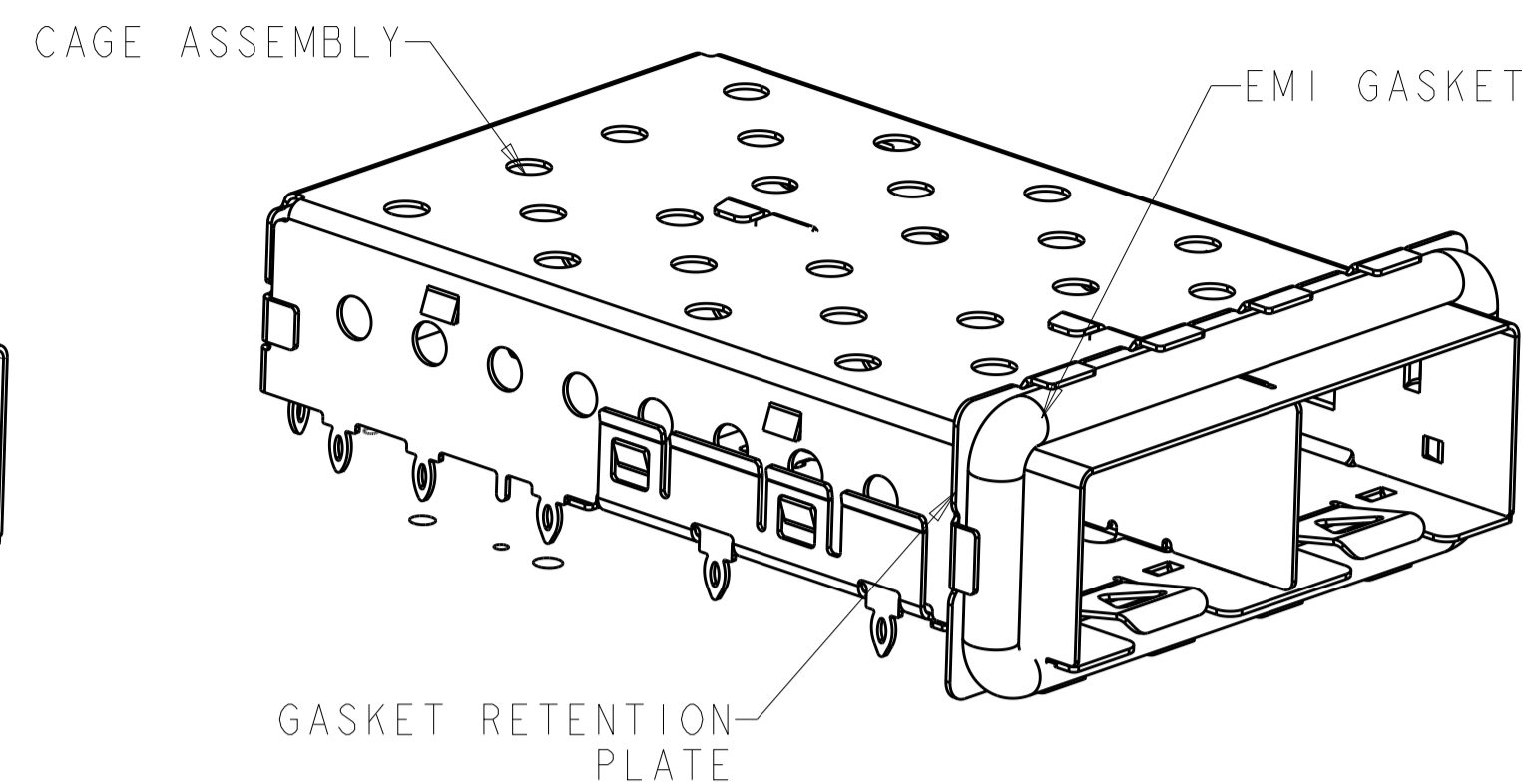


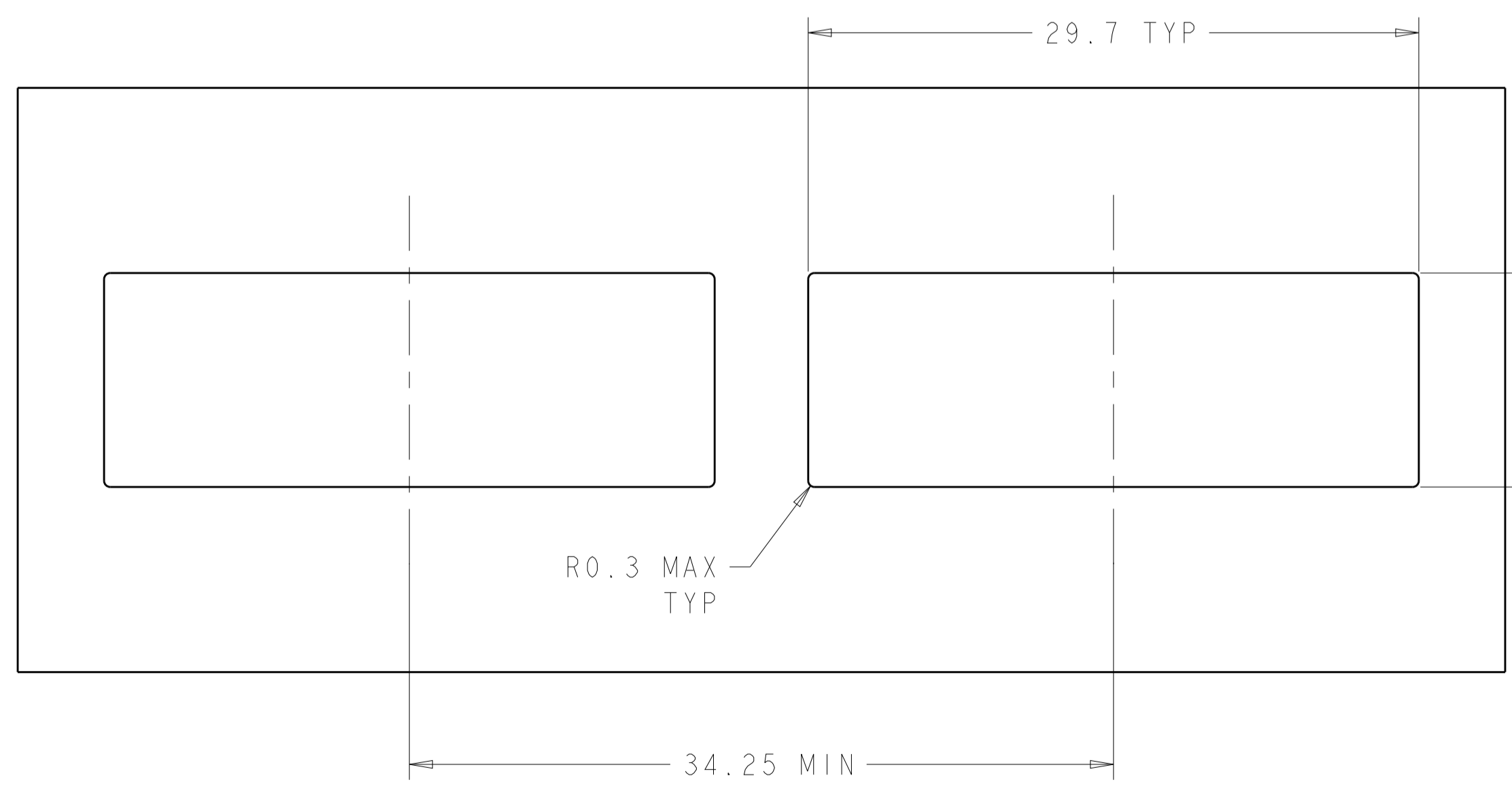
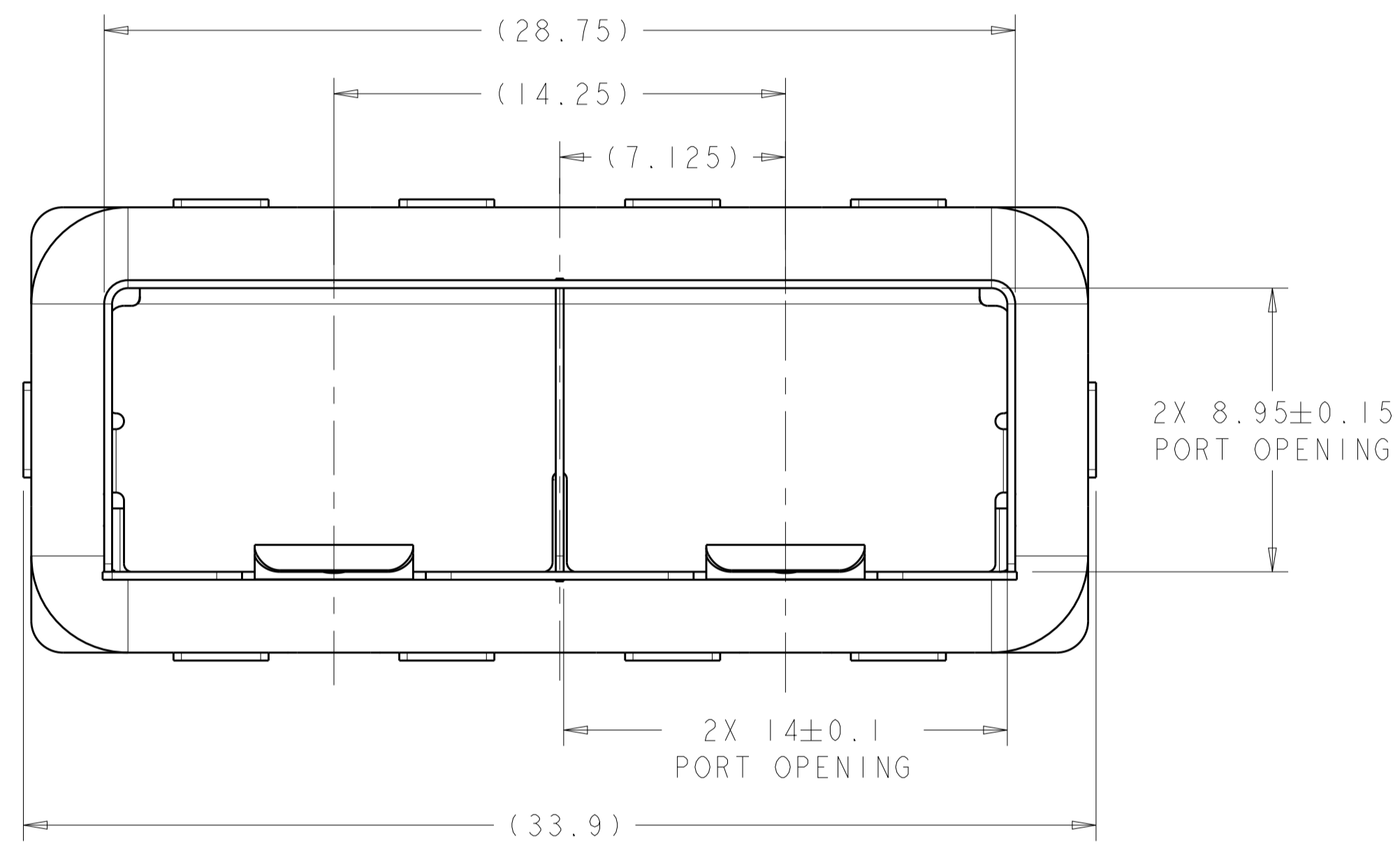
LOC	DIST	REVISIONS					
GP	00	P	LTN	DESCRIPTION	DATE	DWN	APVD
		D1		REVISED PER ECO-11-004835	11MAR2011	RK	HMR
		E		REVISED PER ECO-12-014021	10DEC2012	TD	AC
		E1		REVISED PER ECO-14-004940	28MAR2014	PP	SH



2007181-1  
SCALE 3:1



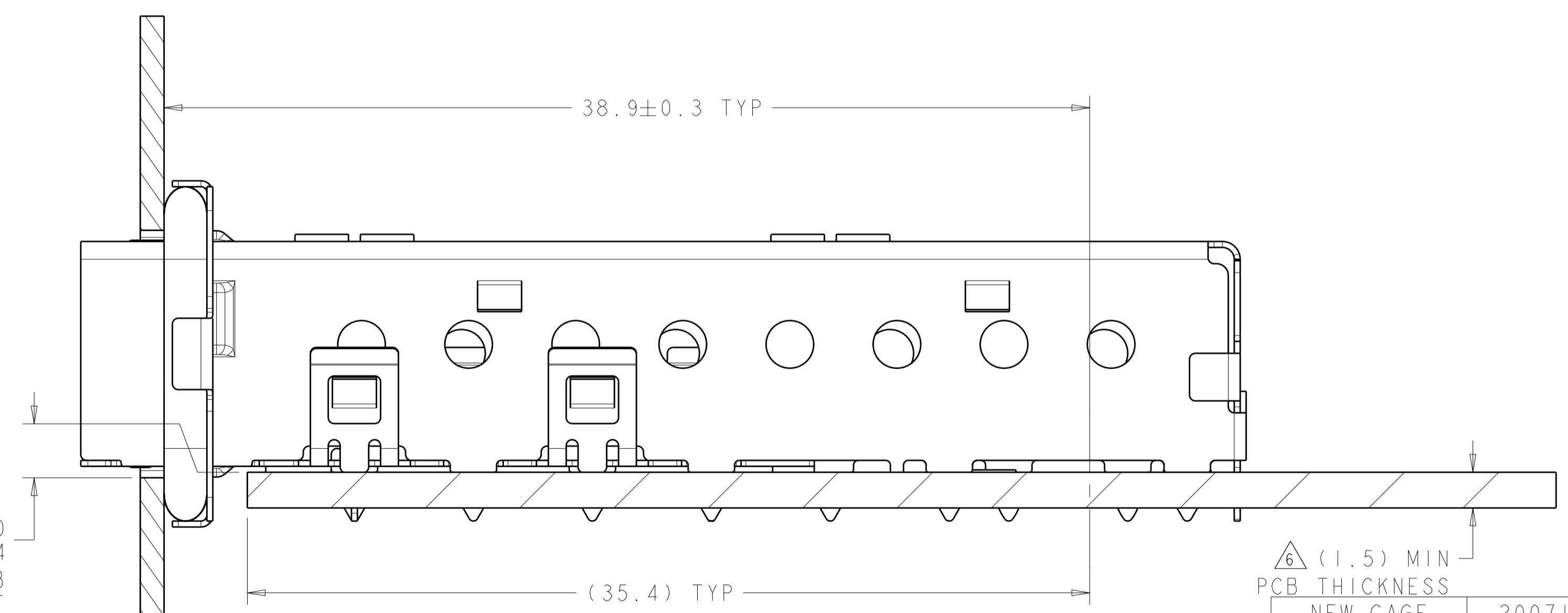
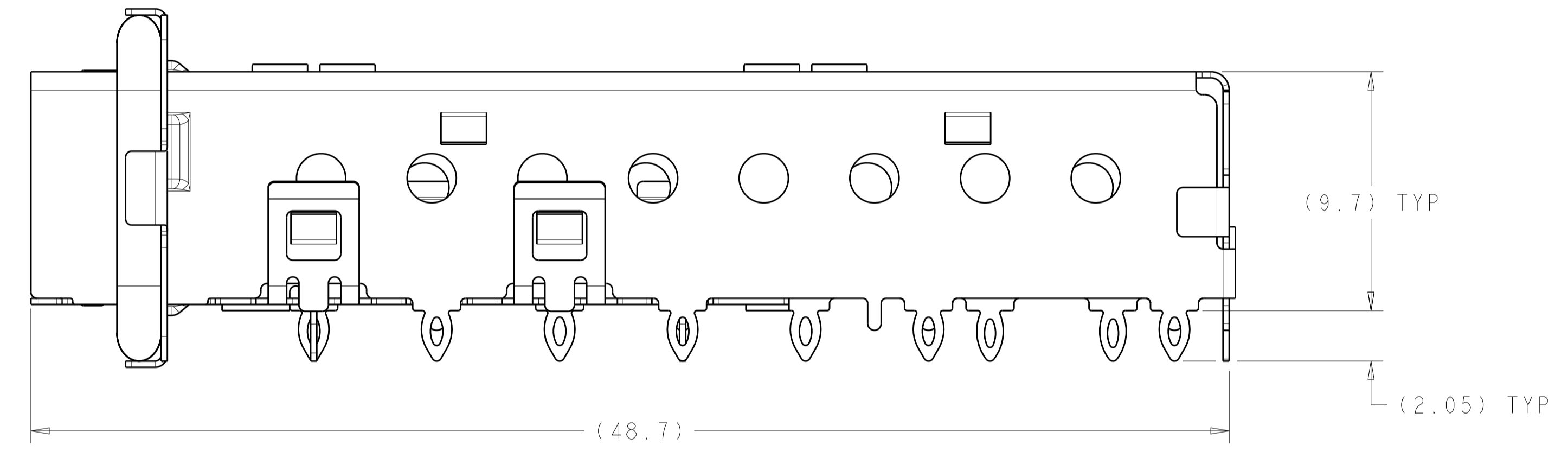
2007181-3  
SCALE 3:1



RECOMMENDED BEZEL CUT-OUT  
SCALE 4:1

0.23<sup>+0.10</sup><sub>-0.14</sub>  
TOP OF PCB  
TO INSIDE OF  
BEZEL CUT-OUT

- 1 MATERIAL:  
CAGE ASSEMBLY - 0.25mm THICK NICKEL SILVER ALLOY  
GASKET RETENTION PLATE - STAINLESS STEEL  
EMI GASKET - PLATED FILLED SILICONE
- 2 DATUM AND BASIC DIMENSION ESTABLISHED BY CUSTOMER.
3. MATES WITH SFP MSA COMPLIANT TRANSCEIVERS.
- 4 PADS AND VIAS CHASSIS GROUND.
5. INTERPRETATION OF DATUM REFERENCE FRAME IN ACCORDANCE WITH SECT 4.4.1.1 OF ASME Y14.5M-1994.
- 6 MINIMUM PC BOARD THICKNESS = 1.50mm.
- 7 HOLE PATTERN REPEATS FOR EACH PORT, SPACING BETWEEN PORTS IS 14.25mm.
- 8 REFERENCE APPLICATION SPEC. 114-13120, HOLE A, FOR RECOMMENDED DRILL HOLE DIAMETER AND PLATING THICKNESS.
- 9 REFERENCE APPLICATION SPEC. 114-13120, HOLE B, FOR RECOMMENDED DRILL HOLE DIAMETER AND PLATING THICKNESS.
10. PRODUCT COMPLIES WITH SPECIFICATION SFF-8433 IMPROVED PLUGGABLE FORM FACTOR FOR SFP+ GANGED CAGES.



2007181-1  
MOUNTED ON PC BOARD  
SHOWN THRU RECOMMENDED BEZEL

(1.5) MIN PCB THICKNESS	
NEW CAGE	2007181-3
CAGE	2007181-1
MARK	PART NUMBER

THIS DRAWING IS A CONTROLLED DOCUMENT.		DWN	M. SCHMITT	17JUL2007
DIMENSIONS:		CHK	M. SCHMITT	17JUL2007
mm	TOLERANCES UNLESS OTHERWISE SPECIFIED:	APVD	B. WERTZ	17JUL2007
0 PLC	±0.1	NAME		
1 PLC	±0.1	PRODUCT SPEC		
2 PLC	±0.1	108-2364		
3 PLC	±0.1	APPLICATION SPEC		
4 PLC	±0.1	114-13120		
ANGLES	±1°	RESTRICTED TO		
MATERIAL	FINISH	SIZE CAGE CODE DRAWING NO		
		A100779C=2007181		
		WEIGHT		
		Customer Drawing		
		SCALE 6:1 SHEET 1 OF 2 REV E1		

